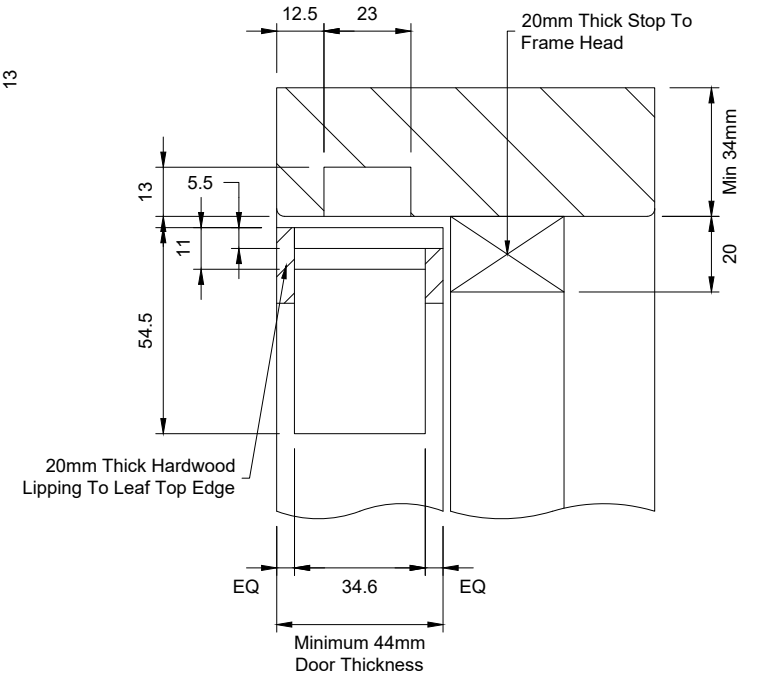
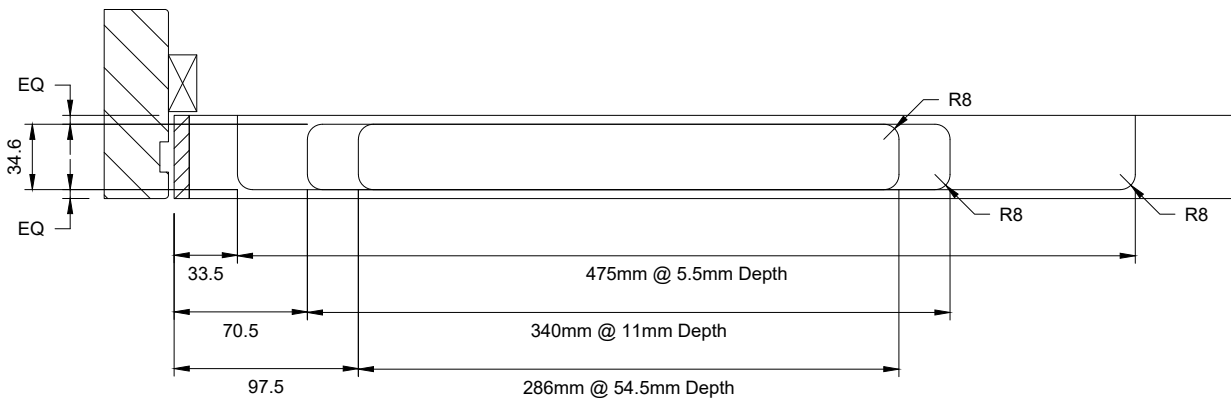
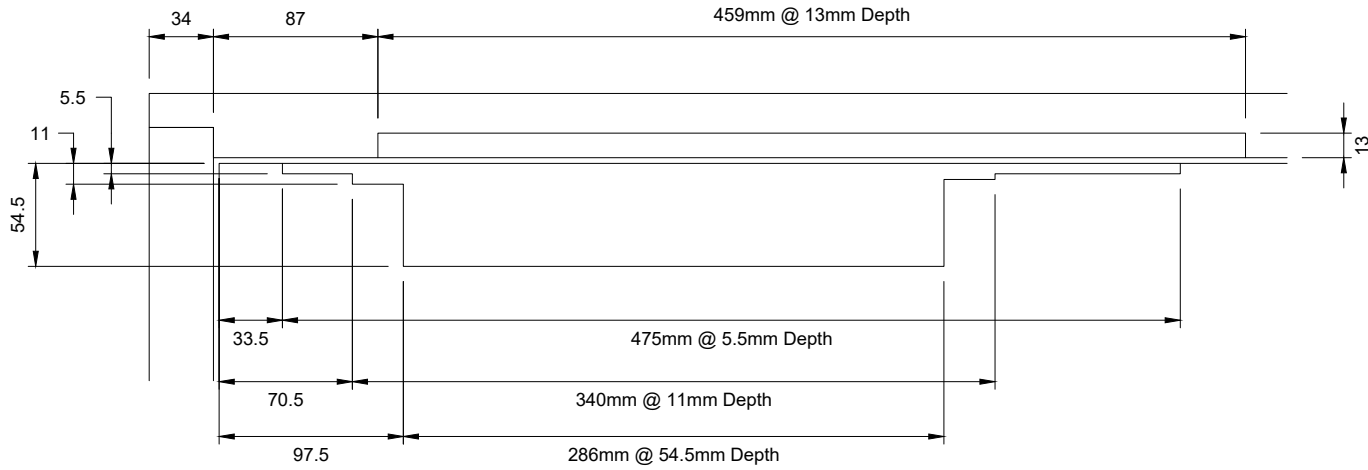
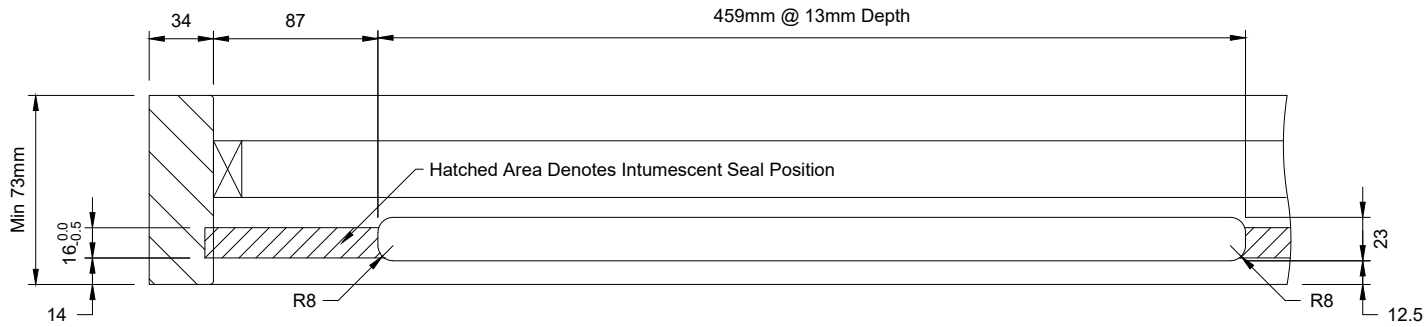


All Dimensions Are
In mm Unless Stated

Notes:

- Minimum 44mm Door Thickness
- 20mm Thick Hardwood Lipping To Leaf Top Edge (Min 640kg/m³)
- 20mm Thick Stop To Frame Head (Planted On Or Rebated)
- Soft/Hardwood Frame (Min 510kg/m³), Min 34mm (T) x 73mm (W) Frame Section
- All Rebates For Closer To Be Fitted With Manufactures Intumescent Kit As Per Manufactures Instructions. See CF242
- **Dimensions Include Allowances For Intumescent Kit**



Do Not Scale.

If In Doubt Ask!

Description: **Concealed Closer Machining - FD30 - 44mm Core - Geze Boxer 2-4**

Drawn By: **O BOOY**

Approved: **Approved**

Date: **18/05/2026**

Cert / FoA Ref:

Drawing No:

© Doorpac Ltd

Size: **As Above**

Rev:

Fire Rating:

CF242

DP19706



Job No:

Tolerance: **±0.25mm**

FD30

Rev03